

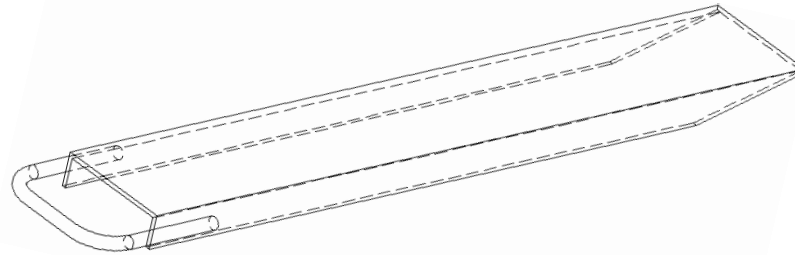
# Loop-Hook on Style Fork Extension

## Model HFE

Ideal for moving long or large objects with a fork truck. OSHA requires extensions are not to exceed 50% of the length of the forks.

Finished in Benson Blue 4PB/APB; Medium Gray KBCMM-896-418; Black KB-9501

Note: Customer is to state what size forks. (Ex: To fit 4" x 1.5" x 36" long forks.)



| Length | 4 x 1-1/2 Fork<br>5" Channel<br>Structural<br>Thickness 1-3/4" |                     |             | 5 x 1-3/4 Fork<br>6" Channel<br>Structural<br>Thickness 2" |                     |             | 6 x 1-3/4 Fork<br>7" Channel<br>Formed<br>Thickness 2-1/4" |                     |             |
|--------|--|---------------------|-------------|--|---------------------|-------------|--|---------------------|-------------|
|        | Model #  | List Price per pair | WT per pair | Model #  | List Price per pair | WT per pair | Model #  | List Price per pair | WT per pair |
| 45"    | HFE-4045   | ◆                   | 56          | HFE-5045   | ◆                   | 69          | HFE-6045   | ◆                   | 85          |
| 48"    | HFE-4048   | ◆                   | 59          | HFE-5048   | ◆                   | 73          | HFE-6048   | ◆                   | 90          |
| 54"    | HFE-4054   | ◆                   | 66          | HFE-5054   | ◆                   | 81          | HFE-6054   | ◆                   | 100         |
| 60"    | HFE-4060   | ◆                   | 73          | HFE-5060   | ◆                   | 89          | HFE-6060   | ◆                   | 111         |
| 63"    | HFE-4063   | ◆                   | 76          | HFE-5063   | ◆                   | 93          | HFE-6063   | ◆                   | 116         |
| 72"    | HFE-4072   | ◆                   | 86          | HFE-5072   | ◆                   | 106         | HFE-6072   | ◆                   | 131         |
| 78"    | HFE-4078   | ◆                   | 93          | HFE-5078   | ◆                   | 114         | HFE-6078   | ◆                   | 142         |
| 84"    | HFE-4084   | ◆                   | 100         | HFE-5084   | ◆                   | 122         | HFE-6084   | ◆                   | 152         |
| 96"    | HFE-4096   | ◆                   | 113         | HFE-5096   | ◆                   | 139         | HFE-6096   | ◆                   | 166         |
| 108"   | HFE-4108   | ◆                   | 126         | HFE-5108   | ◆                   | 156         | HFE-6108   | ◆                   | 193         |
| 120"   | HFE-4120   | ◆                   | 140         | HFE-5120   | ◆                   | 172         | HFE-6120   | ◆                   | 214         |

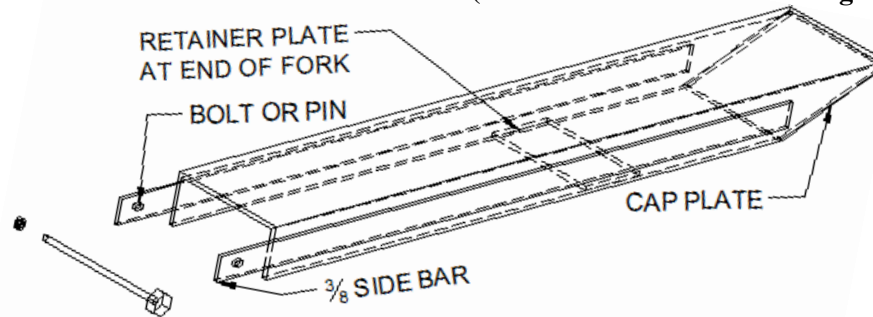
# Bolt or Pin on Style Fork Extension

## Model BFE

Ideal for moving long or large objects with a fork truck. OSHA requires extensions are not to exceed 50% of the length of the forks.

Finished in Benson Blue 4PB/APB; Medium Gray KBCMM-896-418; Black KB-9501

Note: Customer is to state what size forks. (Ex: To fit 4" x 1.5" x 36" long forks.)



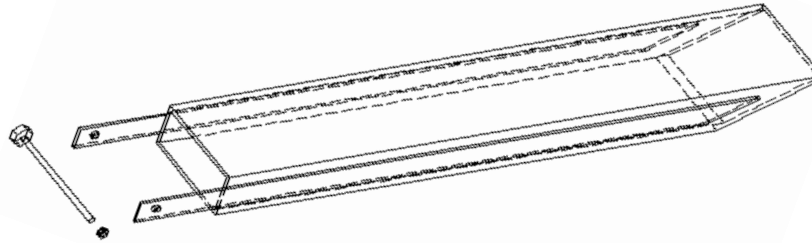
| Length | 4 x 1-1/2 Fork<br>5" Channel<br>Structural<br>Thickness 1-3/4" |                     |             | 5 x 1-3/4 Fork<br>6" Channel<br>Structural<br>Thickness 2" |                     |             | 6 x 1-3/4 Fork<br>7" Channel<br>Formed<br>Thickness 2-1/4" |                     |             |
|--------|--|---------------------|-------------|--|---------------------|-------------|--|---------------------|-------------|
|        | Model #  | List Price per pair | WT per pair | Model #  | List Price per pair | WT per pair | Model #  | List Price per pair | WT per pair |
| 45"    | BFE-4045   | ◆                   | 86          | BFE-5045   | ◆                   | 98          | BFE-6045   | ◆                   | 124         |
| 48"    | BFE-4048   | ◆                   | 92          | BFE-5048   | ◆                   | 105         | BFE-6048   | ◆                   | 132         |
| 54"    | BFE-4054   | ◆                   | 103         | BFE-5054   | ◆                   | 118         | BFE-6054   | ◆                   | 149         |
| 60"    | BFE-4060   | ◆                   | 114         | BFE-5060   | ◆                   | 131         | BFE-6060   | ◆                   | 165         |
| 63"    | BFE-4063   | ◆                   | 120         | BFE-5063   | ◆                   | 137         | BFE-6063   | ◆                   | 174         |
| 72"    | BFE-4072   | ◆                   | 137         | BFE-5072   | ◆                   | 157         | BFE-6072   | ◆                   | 198         |
| 78"    | BFE-4078   | ◆                   | 149         | BFE-5078   | ◆                   | 170         | BFE-6078   | ◆                   | 215         |
| 84"    | BFE-4084   | ◆                   | 160         | BFE-5084   | ◆                   | 183         | BFE-6084   | ◆                   | 231         |
| 96"    | BFE-4096   | ◆                   | 183         | BFE-5096   | ◆                   | 209         | BFE-6096   | ◆                   | 264         |
| 108"   | BFE-4108   | ◆                   | 206         | BFE-5108   | ◆                   | 235         | BFE-6108   | ◆                   | 297         |
| 120"   | BFE-4120   | ◆                   | 228         | BFE-5120   | ◆                   | 261         | BFE-6120   | ◆                   | 330         |

# Tube Style Fork Extension

## Model TFE

Ideal for moving long or large objects with a fork truck. OSHA requires extensions are not to exceed 50% of the length of the forks.

Finished in Benson Blue 4PB/APB; Medium Gray KBCMM-896-418; Black KB-9501



| Length | Fork<br>4 x 1-3/4 (4-T)<br>Tube<br>5 x 3<br>12.21<br>3.18 |                        |                | Fork<br>5 x 1-3/4 (5-T)<br>Tube<br>6 x 3<br>13.91<br>3.18 |                        |                | Fork<br>6 x 2 (6-T)<br>Tube<br>7 x 3<br>15.62<br>3.18 |                        |                | Fork<br>7 x 2-1/2 (7-T)<br>Tube<br>8 x 3<br>17.32<br>3.18 |                        |                |
|--------|---|------------------------|----------------|---|------------------------|----------------|---|------------------------|----------------|---|------------------------|----------------|
|        | Model #   | List Price<br>per pair | WT per<br>pair | Model #   | List Price<br>per pair | WT per<br>pair | Model #   | List Price<br>per pair | WT per<br>pair | Model #   | List Price<br>per pair | WT per<br>pair |
| 45"    | TFE-4045  | ◆                      | 152            | TFE-5045  | ◆                      | 168            | TFE-6045  | ◆                      | 182            | TFE-7045  | ◆                      | 198            |
| 48"    | TFE-4048  | ◆                      | 160            | TFE-5048  | ◆                      | 178            | TFE-6048  | ◆                      | 194            | TFE-7048  | ◆                      | 210            |
| 54"    | TFE-4054  | ◆                      | 180            | TFE-5054  | ◆                      | 196            | TFE-6054  | ◆                      | 214            | TFE-7054  | ◆                      | 232            |
| 60"    | TFE-4060  | ◆                      | 200            | TFE-5060  | ◆                      | 216            | TFE-6060  | ◆                      | 236            | TFE-7060  | ◆                      | 254            |
| 63"    | TFE-4063  | ◆                      | 208            | TFE-5063  | ◆                      | 226            | TFE-6063  | ◆                      | 248            | TFE-7063  | ◆                      | 266            |
| 72"    | TFE-4072  | ◆                      | 238            | TFE-5072  | ◆                      | 258            | TFE-6072  | ◆                      | 280            | TFE-7072  | ◆                      | 300            |
| 78"    | TFE-4078  | ◆                      | 254            | TFE-5078  | ◆                      | 276            | TFE-6078  | ◆                      | 300            | TFE-7078  | ◆                      | 324            |
| 84"    | TFE-4084  | ◆                      | 272            | TFE-5084  | ◆                      | 296            | TFE-6084  | ◆                      | 322            | TFE-7084  | ◆                      | 348            |
| 96"    | TFE-4096  | ◆                      | 308            | TFE-5096  | ◆                      | 336            | TFE-6096  | ◆                      | 364            | TFE-7096  | ◆                      | 394            |
| 108"   | TFE-4108  | ◆                      | 346            | TFE-5108  | ◆                      | 378            | TFE-6108  | ◆                      | 409            | TFE-7108  | ◆                      | 443            |
| 120"   | TFE-4120  | ◆                      | 384            | TFE-5120  | ◆                      | 420            | TFE-6120  | ◆                      | 454            | TFE-7120  | ◆                      | 492            |
| 144"   | TFE-4144  | ◆                      | 460            | TFE-5144  | ◆                      | 504            | TFE-6144  | ◆                      | 604            | TFE-7144  | ◆                      | 590            |