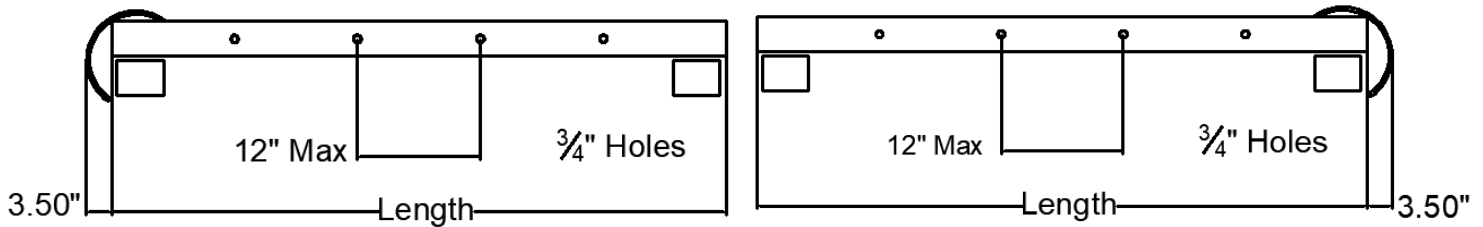


Half Moon – Single End of Aisle Guard

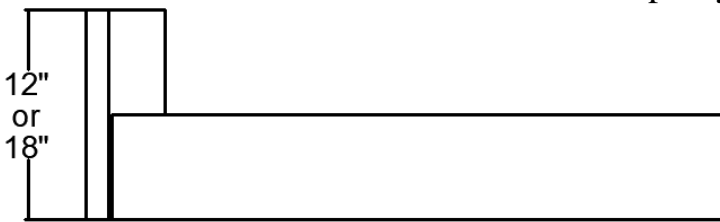
Model Half Moon Guard(HMG) (Right or Left)

10" diameter pipe cut in half, 12" or 18" high, 6" x 4" x 3/8" angle iron, 3/4" holes for 5/8" anchors by others.

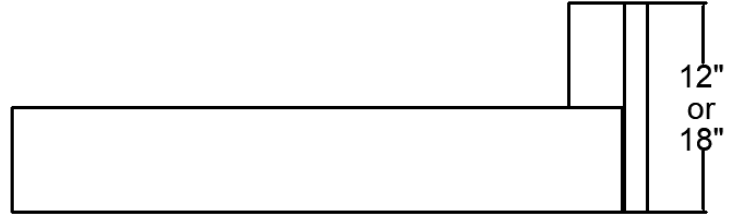
Painted yellow



Top Layout Plan



SINGLE RIGHT HAND



SINGLE LEFT HAND

Model #	Length	End Height	WT.	List Price
HMG-1224-R	24"	12"	45 lbs	◆
HMG-1236-R	36"	12"	57 lbs	◆
HMG-1242-R	42"	12"	63 lbs	◆
HMG-1248-R	48"	12"	69 lbs	◆

Model #	Length	End Height	WT.	List Price
HMG-1224-L	24"	12"	45 lbs	◆
HMG-1236-L	36"	12"	57 lbs	◆
HMG-1242-L	42"	12"	63 lbs	◆
HMG-1248-L	48"	12"	69 lbs	◆

HMG-1824-R	24"	18"	56 lbs	◆
HMG-1836-R	36"	18"	68 lbs	◆
HMG-1842-R	42"	18"	74 lbs	◆
HMG-1848-R	48"	18"	80 lbs	◆

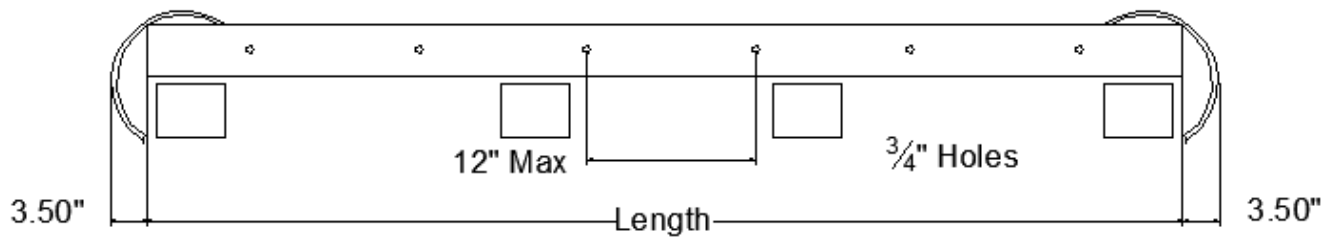
HMG-1824-L	24"	18"	56 lbs	◆
HMG-1836-L	36"	18"	68 lbs	◆
HMG-1842-L	42"	18"	74 lbs	◆
HMG-1848-L	48"	18"	80 lbs	◆

Half Moon – Double End of Aisle Guard

Model Half Moon Guard(HMG)

10" diameter pipe cut in half, 12" or 18" high, 6" x 4" x 3/8" angle iron,
3/4" holes for 5/8" anchors by others.

Painted yellow



Model #	Upright	Length	Weight	List Price
HMG-1242	12"	42"	84 lbs	◆
HMG-1248	12"	48"	90 lbs	◆
HMG-1260	12"	60"	102 lbs	◆
HMG-1272	12"	72"	114 lbs	◆
HMG-1284	12"	84"	126 lbs	◆
HMG-1296	12"	96"	138 lbs	◆
HMG-1209	12"	108"	150 lbs	◆
HMG-1210	12"	120"	162 lbs	◆

HMG-1842	18"	42"	102 lbs	◆
HMG-1848	18"	48"	112 lbs	◆
HMG-1860	18"	60"	124 lbs	◆
HMG-1872	18"	72"	136 lbs	◆
HMG-1884	18"	84"	148 lbs	◆
HMG-1896	18"	96"	160 lbs	◆
HMG-1809	18"	108"	172 lbs	◆
HMG-1810	18"	120"	184 lbs	◆

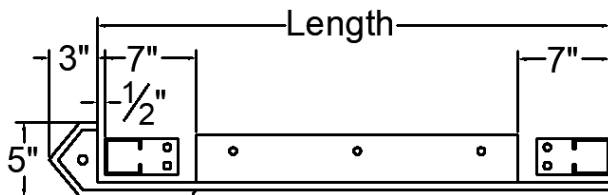
Formed Moon – Single End of Aisle Guard

Model Formed Moon Guard(FMG) (Right or Left)

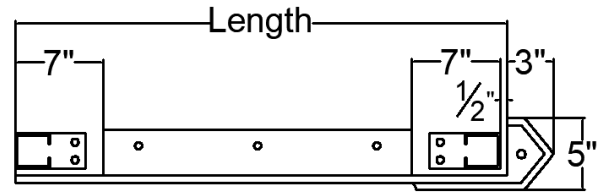
Space Saver Design

3/8" plate formed to 12" or 18" high, 6" x 4" x 3/8" angle iron, with cutout for upright post, 3/4" holes for 5/8" anchors by others.

Painted yellow



SINGLE RIGHT HAND



SINGLE LEFT HAND

Model #	Length	End Height	WT.	List Price
FMG-1224-R	24"	12"	45 lbs	◆
FMG-1236-R	36"	12"	58 lbs	◆
FMG-1242-R	42"	12"	66 lbs	◆
FMG-1248-R	48"	12"	70 lbs	◆

Model #	Length	End Height	WT.	List Price
FMG-1224-L	24"	12"	45 lbs	◆
FMG-1236-L	36"	12"	58 lbs	◆
FMG-1242-L	42"	12"	66 lbs	◆
FMG-1248-L	48"	12"	70 lbs	◆

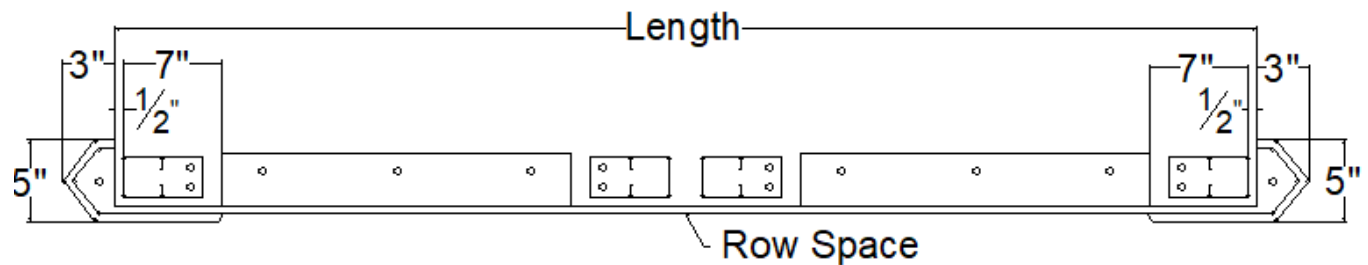
FMG-1824-R	24"	18"	55 lbs	◆
FMG-1836-R	36"	18"	68 lbs	◆
FMG-1842-R	42"	18"	76 lbs	◆
FMG-1848-R	48"	18"	80 lbs	◆

FMG-1824-L	24"	18"	55 lbs	◆
FMG-1836-L	36"	18"	68 lbs	◆
FMG-1842-L	42"	18"	76 lbs	◆
FMG-1848-L	48"	18"	80 lbs	◆

Formed Moon – Double End of Aisle Guard

Model FMG Space Saver Design

3/8" plate formed to 12" or 18" high, 6" x 4" x 3/8" angle iron,
with cutout for upright post, 3/4" holes for 5/8" anchors by others.
Painted yellow

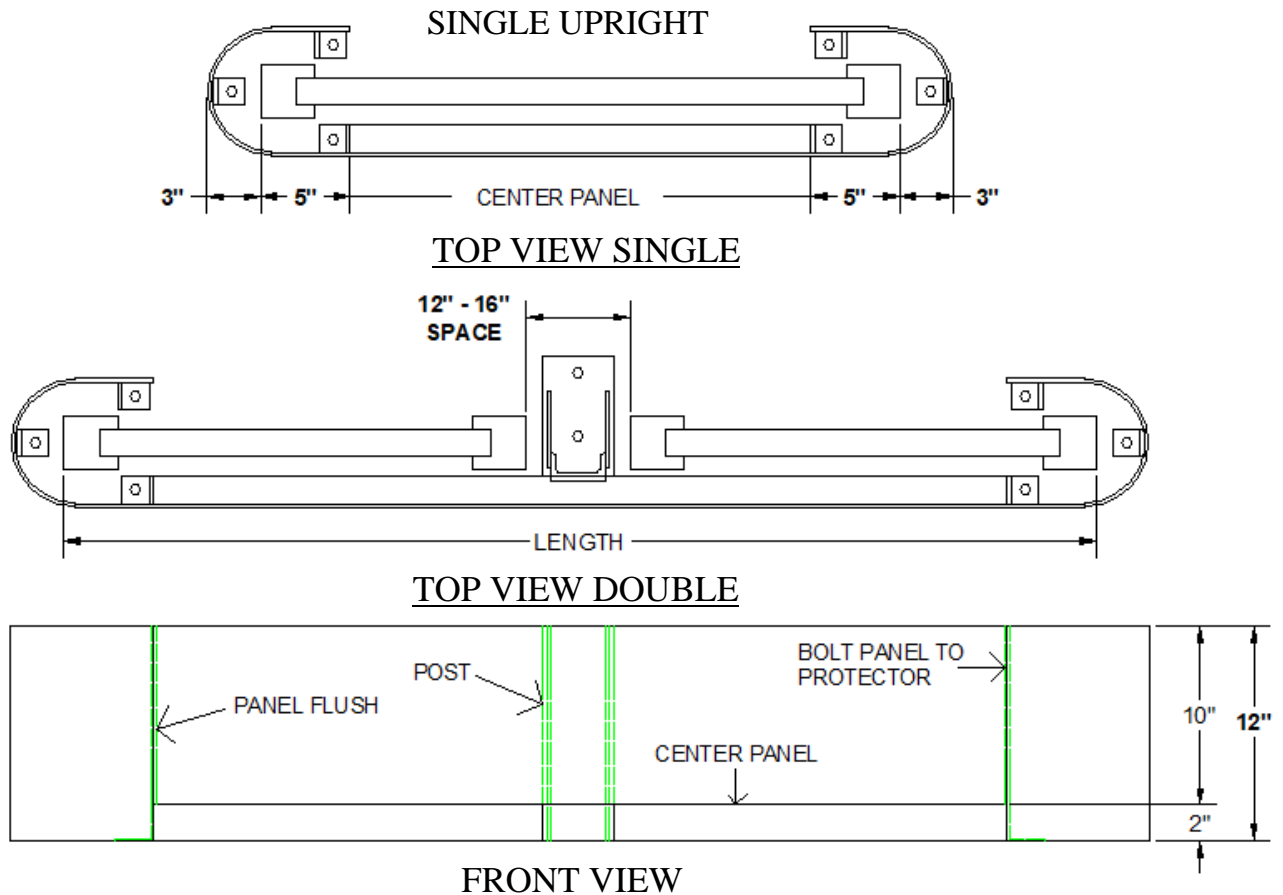


Model #	Upright	Length	Weight	List Price
FMG-1242	12"	42"	85 lbs	◆
FMG-1248	12"	48"	91 lbs	◆
FMG-1260	12"	60"	103 lbs	◆
FMG-1272	12"	72"	115 lbs	◆
FMG-1284	12"	84"	127 lbs	◆
FMG-1296	12"	96"	139 lbs	◆
FMG-1209	12"	108"	151 lbs	◆
FMG-1210	12"	120"	163 lbs	◆

FMG-1842	18"	42"	105 lbs	◆
FMG-1848	18"	48"	111 lbs	◆
FMG-1860	18"	60"	123 lbs	◆
FMG-1872	18"	72"	135 lbs	◆
FMG-1884	18"	84"	147 lbs	◆
FMG-1896	18"	96"	159 lbs	◆
FMG-1809	18"	108"	171 lbs	◆
FMG-1810	18"	120"	183 lbs	◆

Full Moon Wrap – Double End of Aisle Guard

Model Full Moon Wrap(FMW)

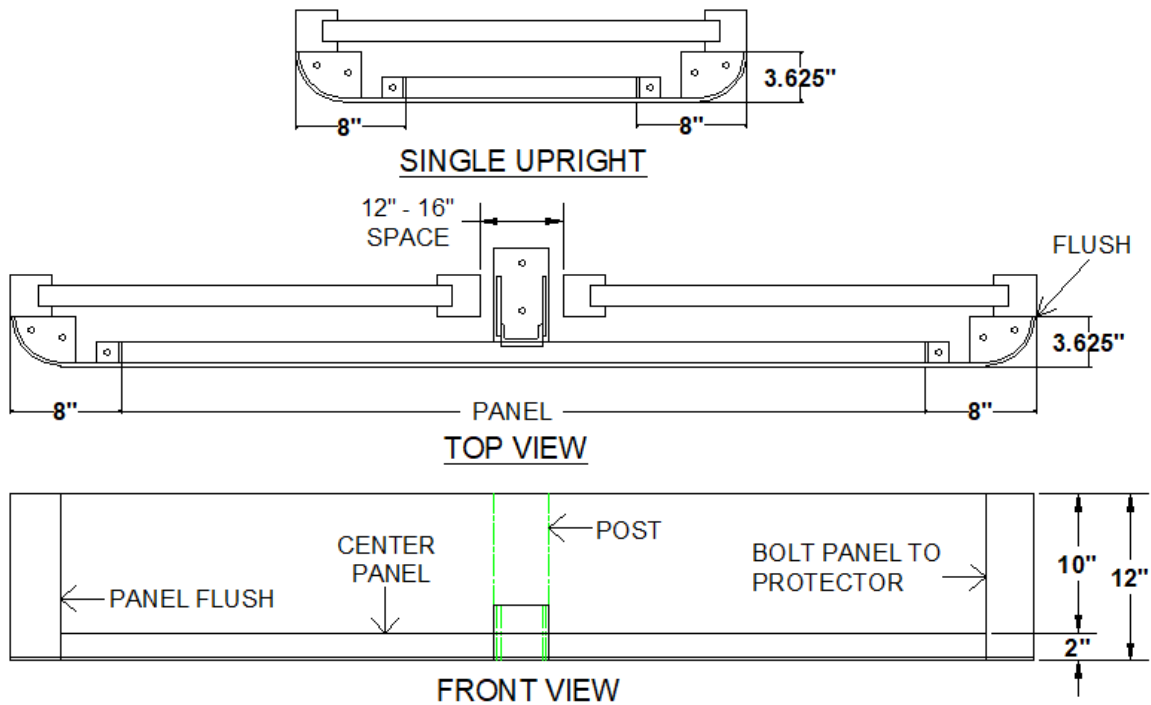


Post protector wraps the pallet rack post with anchor tables on the inside. The formed insert panel is flush with post protector and bolts between. A center post on double wide uprights provides the additional wide span protection and panel strength painted federal yellow anchors by others.

Model #	Upright	Space	Length	Panel	Weight	List Price
Single						
FMW-1236	36"	-	36"	26"	66 lbs	◆
FMW-1242	42"	-	42"	32"	70 lbs	◆
FMW-1248	48"	-	48"	38"	72 lbs	◆
Double						
FMW-1284	36"	12"	84"	74"	114 lbs	◆
FMW-1288	36"	16"	88"	78"	117 lbs	◆
FMW-1296	42"	12"	96"	86"	123 lbs	◆
FMW-1210	42"	16"	100"	90"	126 lbs	◆
FMW-1209	48"	12"	108"	98"	132 lbs	◆
FMW-1212	48"	16"	112"	102"	135 lbs	◆

Full Moon Wrap Flush – Double End of Aisle Guard

Model Full Moon wrap Flushed(FMF)

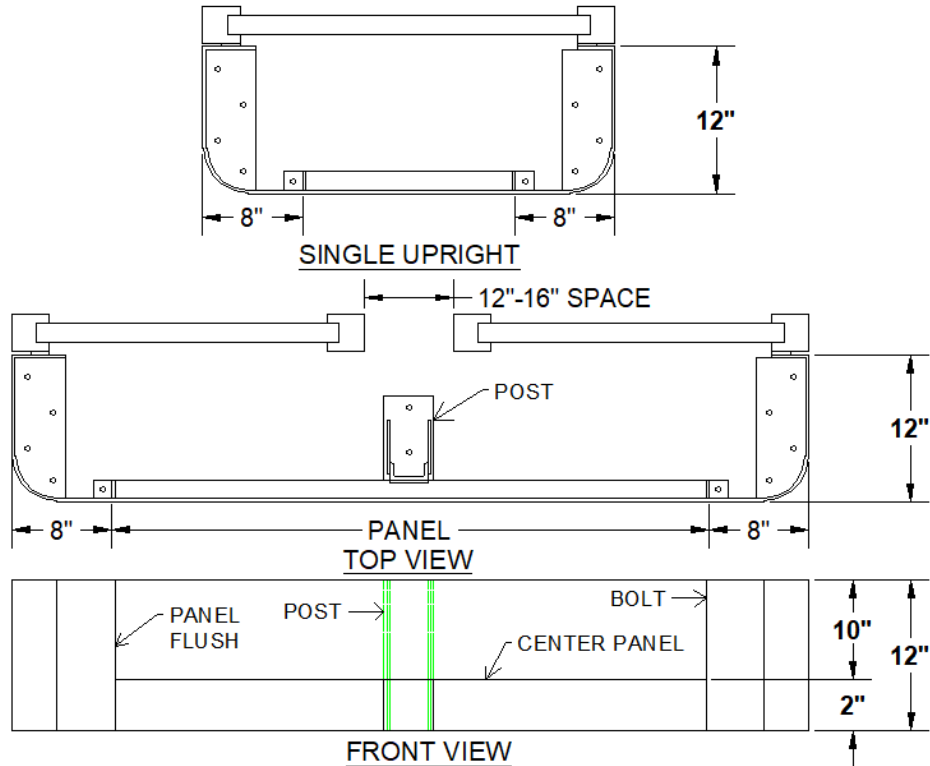


Post protector wraps flush to the face of the upright post to allow smooth order picker flow around the corner and down a narrow aisle. The protector has an inside anchor plate with no obstruction. The formed insert panel is flush with the post protector and bolts between. A center post on double wide span protection painted federal yellow anchors by others.

Model #	Upright	Space	Length	Panel	Weight	List Price
Single						
FMF-8336	36"	-	36"	20"	44 lbs	◆
FMF-8342	42"	-	42"	26"	49 lbs	◆
FMF-8348	48"	-	48"	32"	53 lbs	◆
Double						
FMF-8384	36"	12"	84"	68"	91 lbs	◆
FMF-8388	36"	16"	88"	72"	94 lbs	◆
FMF-8396	42"	12"	96"	80"	100 lbs	◆
FMF-8310	42"	16"	100"	84"	103 lbs	◆
FMF-8309	48"	12"	108"	92"	110 lbs	◆
FMF-8312	48"	16"	112"	96"	113 lbs	◆

Full Moon Wrap Extended – Double End of Aisle Guard

Model Full Moon wrap Extended(FME)

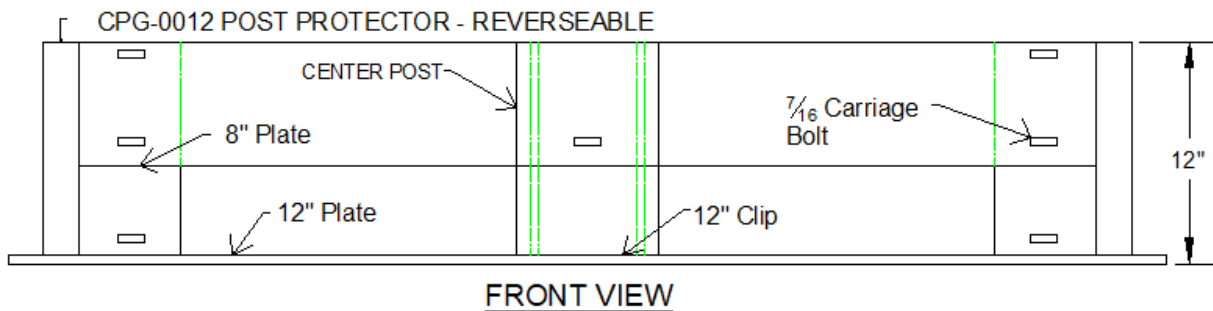
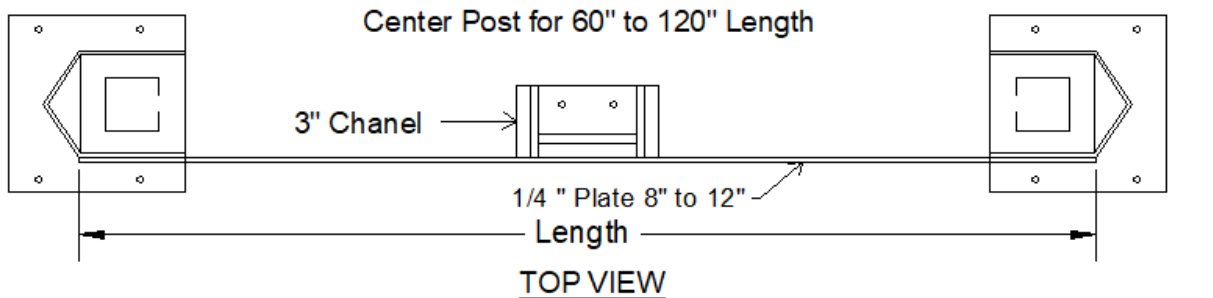


Post protector wraps flush to the face of the upright post and extended away 12" to allow smooth order picker flow around the corner and down the aisle. The protector has an inside anchor plate with no outside obstruction. The formed insert panel is flush with the post protector face and bolts between a center post on the double wide uprights provides the additional wide span protection and panel strength. Painted federal yellow anchors by others.

Model #	Upright	Space	Length	Panel	Weight	List Price
FME-1236	36"	-	36"	20"	75 lbs	◆
FME-1242	42"	-	42"	26"	80 lbs	◆
FME-1248	48"	-	48"	32"	84 lbs	◆
FME-1284	36"	12"	84"	68"	125 lbs	◆
FME-1288	36"	16"	88"	72"	128 lbs	◆
FME-1296	42"	12"	96"	80"	134 lbs	◆
FME-1210	42"	16"	100"	84"	137 lbs	◆
FME-1209	48"	12"	108"	92"	144 lbs	◆
FME-1212	48"	16"	112"	96"	147 lbs	◆

COLUMN POST PROTECTOR AISLE/GUARD

**12" post protector, 1/4" plate, 7/16" x 1 1/4" carriage bolt, 1/2" anchors by others. Price includes Protector and Plate(either 8" or 12" high). Anchors not included.
Painted Yellow**



8" Side Plate

Model #	Length	Weight	List Price
CPG-8036	36"	44 lbs	◆
CPG-8042	42"	48 lbs	◆
CPG-8048	48"	51 lbs	◆
CPG-8060	60"	69 lbs	◆
CPG-8072	72"	75 lbs	◆
CPG-8084	84"	82 lbs	◆
CPG-8096	96"	90 lbs	◆
CPG-8009	108"	95 lbs	◆
CPG-8010	120"	102 lbs	◆

12" Side Plate

Model #	Weight	List Price
CPG-1236	55 lbs	◆
CPG-1242	61 lbs	◆
CPG-1248	66 lbs	◆
CPG-1260	83 lbs	◆
CPG-1272	94 lbs	◆
CPG-1284	104 lbs	◆
CPG-1296	114 lbs	◆
CPG-1209	124 lbs	◆
CPG-1210	134 lbs	◆